



FX5653 Intel Atom D2550 Small System

With VGA, 4S, 2Giga-LAN, 5USB, Audio and CFast/SD/mCard Socket

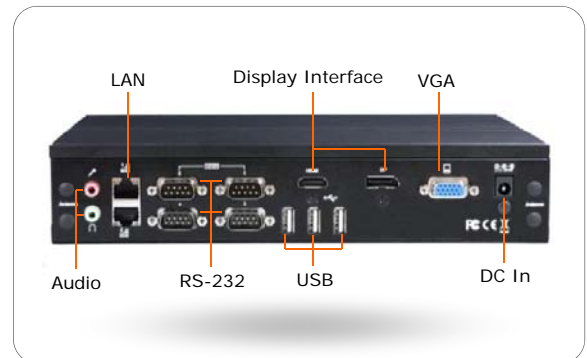


Features

- Fanless and low power consumption design
- Intel dual core CPU (Atom D2550 1.86GHz, 1M L2 Cache) and System Chipset (Atom D2550 + NM10)
- Two SoDIMM socket supports up to 4GB DDR3 RAM
- Support Giga LAN (*2) for Realtek Chipset
- USB V2.0 Ports (*5)
- Support Dual Display
- Support High Definition Audio
- One CFast Card Type I/II socket
- One SD socket (Class6)
- One 2.5" SATA HDD space
- Four RS-232 ports
- Support Expansion I/F with PCIe Mini Card (*2)

Specifications

- CPU Board:** Intel Atom D2550 1.86GHz CPU Board with 4GB DD3 RAM
- I/O Outlets:** 1 VGA (CRT) DB15 connector
2 Display Interface
2 RJ45 connectors (Realtek RTL8111C Chipset)
5 USB connectors
4 RS-232 with DB9 connectors
2 Audio connectors (Mic-In & Earphone-Out)
1 DC-In jack
- Expansion I/F:** 2 PCIe Mini Card slot for Wireless/GPRS module (one full size, one half size)
- Storage Bay:** 1 2.5" SATA HDD space
1 CFSat Card Type I/II socket
1 SD socket
- Power Req.:** DC 12V~24V Input, 48VA maximum
- LED Indicators:** 1 HDD LED, 1 Status LED, 4 LAN LEDs
- Dimensions (W*D*H):** 180 x 250 x 50 mm
- Operating Temp.:** 0°C ~ 50°C (32°F ~ 122°F)
- Compliances:** CE · FCC · RoHS
- Accessory:** 1 AC-DC adapter with AC power cable
One pack of 2.5" SATA hard disk installation kit with fixed screws



Optional Item

- AK1006- Half size mini PCIe module adapter kits. (PN: 0606010028G)
- FX5501K1 Wall-Mount Kit.(P/N: 0606010009G-20)
- FX5504K1 Panel Mount Kit (VESA 75*75/100*100).(P/N: 0606010012G)
- FX5622K1 Rack-Mount Kit.(P/N: 0606010024G)

Order Information

Model	Description	Verified OS
FX5653	Intel Atom D2550 1.86GHz Small System w/VGA, 4S, 2Giga-LAN, 5USB, Audio and CFast/SD/mCard Socket	Windows 7, XP Embedded, Linux



FabiaTech Corp.

TEL:886-2-22789586 FAX:886-2-22789575

4F-3, No.18, Lane 609, Chung-Hsin Rd., Sec.5, San-Chung City, Taipei Hsien, Taiwan, R.O.C.

www.fabiatech.com